

DESCRIPTION

Elevation® T-Bar is a premium quality, 6063 aluminum alloy T-Bar approved for use with all Elevation® Waterproofing systems. The product is manufactured to our specifications resulting in greater strength and consistency of dimension, gauge and finish when compared to many regionally available products.



Properly installed, Elevation® T-Bar provides a pour stop for the wear layer on a waterproofed balcony and maintains a weep system to ensure proper removal of moisture trapped beneath the wear layer.

- Higher quality, better finish and increased durability designed specifically for use in balcony applications
- Increased strength reduces the risk of damage during transport and before application of wear layer
- Wider nailer flange eases installation
- Available in anodized or milled finish
- Consistent dimensions assure proper wear layer pour depth

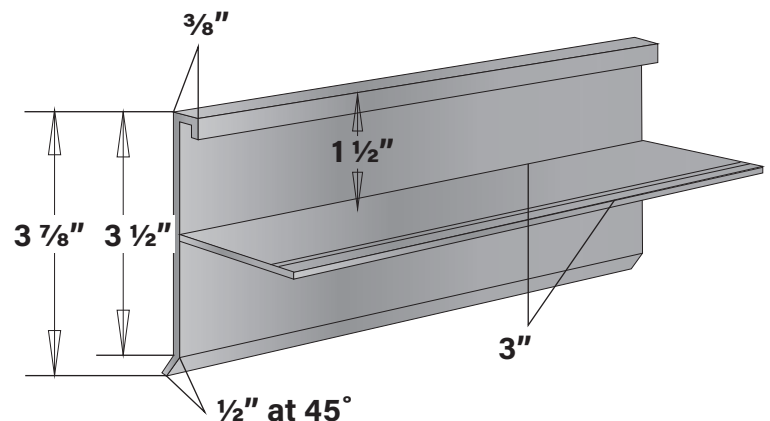
TECHNICAL SPECIFICATION

Raw Material		6063 Aluminum
Color		Silver
Finish		Milled or Anodized
Height	in.	3.875 (98.4mm)
Flange	in.	3 (76.2mm)
Thickness	in.	.058 (1.47mm)
Temper		T1
Tensile Strength (min)		17 ksi

PACKAGING

80 pieces per bundle
 10' and 12' lengths available

PHYSICAL DETAIL



INSTALLATION

- T-Bar is applied after the installation of the waterproofing system
- Apply Elevation® spacer shims at 18" intervals along underside of nailer flange/inside edge of face
- Fasten at 18" intervals (through spacer shims) at 18" intervals through indentation in nailer flange.
- T-Bar should extend over T-Bar Termination Pocket base plate and into trough to ensure proper shingling and drainage are maintained
- Material can be cut with angle grinder (using appropriate grinding wheel) or heavy duty metal shears. Proper PPE should be used at all times when cutting or shaping.
- When folding T-Bar to account for exterior angles, make a small relief cut to the folded portion of the top edge to avoid pinching and buckling
- More information and installation instructions can be found at <http://formulated.info>

STORAGE AND PROTECTION

Product is temperature stable and weather resistant. Care should be taken when stacking full bundles to avoid crushing exposed edges.